



# Russell Hobbs

## INSTRUCTIONS and WARRANTY



**MODEL NO. RHEM30LN  
RUSSELL HOBBS 30L ELECTRONIC MICROWAVE OVEN**

1 year standard warranty.  
Warranty will be extended for another year if you register  
your product online within 12 months of purchase  
(visit <https://russellhobbswarranty.co.za/>)



Congratulations on purchasing our Russell Hobbs 30L Electronic Microwave Oven. Each unit is manufactured to ensure safety and reliability. Before using this appliance for the first time, please read the instruction manual carefully and keep it for future reference.

## **FEATURES OF THE RUSSELL HOBBS 30L ELECTRONIC MICROWAVE OVEN**

- 30L Capacity
- Digital LED display with Clock
- Power output: 900W
- 10 power levels
- Programmable multi-stage cooking
- 6 Auto menus: popcorn, potato, frozen vegetable, beverage, dinner plate, pizza
- 99-minute cooking timer with end signal
- Defrost by time or weight
- With quick start and kitchen timer functions
- Smart Info function
- Elegant mirror finish front
- 288mm glass turntable diameter
- User friendly control panel
- Easy to use push button door
- Grey interior for easy cleaning
- With child lock safety feature
- For domestic use only
- 1-year standard warranty. Warranty will be extended for another year if you register your product online within 12 months of purchase (Visit <https://russellhobbswarranty.co.za/>)

## **IMPORTANT SAFEGUARDS**

When using any electrical appliance, basic safety precautions should always be followed including the following:

1. Please read the instructions carefully before using any appliance.
2. Always ensure that the voltage on the rating label corresponds to the mains voltage in your home.
3. Incorrect operation and improper use can damage the appliance and cause injury to the user.
4. The appliance is intended for household use only. Commercial use invalids the warranty, and the supplier can not be held responsible for injury or damage caused when using the appliance for any other purpose than that intended.
5. Avoid any contact with moving parts.
6. Close supervision is required when any appliance is used near or by children or invalids.

7. Check the power cord and plug regularly for any damage. If the cord or the plug is damaged, it must be replaced by the manufacturer or a qualified person in order to avoid an electrical hazard.
8. Do not use the appliance if it has been dropped or damaged in any way. In case of damage, take the unit in for examination and/or repair by an authorised service agent
9. Do not operate the oven when empty.
10. Do not operate this appliance if it has a damaged cord or plug, if it is not working properly or if it has been damaged or dropped. If the supply cord is damaged, it must be replaced by the manufacturer or its service agent or a similarly qualified person in order to avoid a hazard.
11. This appliance is not intended for use by persons (including children) with reduced physical, sensory or mental capabilities, or lack of experience and knowledge, unless they have been given supervision or instruction concerning use of the appliance by a person responsible for their safety.
12. **WARNING:** Only allow children to use the oven without supervision when adequate instructions have been given so that the child is able to use the oven in a safe way and understands the hazards of improper use.
13. Do not operate the microwave unit without any food contents inside the cavity.
14. To reduce the risk of fire in the oven cavity:
  - When heating food in a plastic or paper container, check the oven frequently in terms of the possibility of ignition.
  - Remove wire twist-ties from paper or plastic bags before placing the bag in oven.
  - If smoke is observed, switch off or unplug the appliance and keep the door closed in order to stifle any flames.
  - Do not use the cavity for storage purposes. Do not leave paper products, cooking utensils or food in the cavity when not in use.

**WARNING:** Liquid or other food must not be heated in sealed containers since they are able to explode.
15. Microwave heating of beverages can result in delayed eruptive boiling; therefore care has to be taken when handling the container.
16. Do not fry food in the oven. Hot oil can damage oven parts and utensils and even result in burns.
17. Eggs in their shell and whole hard-boiled eggs should not be heated in microwave ovens since they may explode even after microwave heating has ended.
18. Pierce foods with heavy skins such as potatoes, whole squashes, apples, and chestnuts before cooking.
19. The contents of feeding bottles and baby jars should be stirred or shaken, and the temperature should be checked before serving in order to avoid burns or scalding.
20. Cooking utensils may become hot because of heat transferred from the heated food. Potholders/ oven gloves may be needed to handle the utensil.
21. Utensils should be checked to ensure that they are suitable for use in microwave oven.
22. **WARNING:** It is hazardous for anyone other than a trained person to carry out any service or repair operation which involves the removal of any cover which gives protection against exposure to microwave energy.
23. This product is Group 2 Class B ISM equipment. The definition of Group 2 which contains all ISM

(Industrial, Scientific and Medical) equipment in which radio-frequency energy is intentionally generated and/or used in the form of electromagnetic radiation for the treatment of material, and spark erosion equipment. For Class B equipment is equipment suitable for use in domestic establishments and in establishments directly connected to a low voltage power supply network which supplies buildings used for domestic purpose.

24. Never immerse the unit in water or any other liquid for cleaning purposes.
25. Remove the plug from the socket by gripping the plug. Do not pull on the cord to disconnect the appliance from the mains. Always unplug the unit when not in use before cleaning or when adding or removing parts.
26. The use of accessory attachments that are not recommended or supplied by the manufacturer may result in injuries, fire or electric shock.
27. A short cord is provided to reduce the hazards resulting from becoming entangled in or tripping over a longer cord.
28. Do not let the cord hang over the edge of a table or counter. Ensure that the cord is not in a position where it can be pulled on inadvertently.
29. Do not allow the cord to touch hot surfaces and do not place on or near a hot gas or electric burner or in a heated oven.
30. Do not use the appliance on a gas or electric cooking top or over or near an open flame.
31. Use of an extension cord with this appliance is not recommended. However, if it is necessary to use an extension lead, ensure that the lead is suited to the power consumption of the appliance to avoid overheating of the extension cord, appliance or plug point. Do not place the extension cord in a position where it can be pulled on by children or animals or tripped over.
32. This appliance is not suitable for outdoor use. Do not use this appliance for anything other than its intended use.
33. DO NOT carry the appliance by the power cord.
34. Do not leave this appliance unattended during use. Always unplug the unit when not in use or before cleaning.
35. Always operate the appliance on a smooth, even, stable surface. Do not place the unit on a hot surface.
36. Ensure that the switch is in the "Off" or "0" position after each use.
37. The manufacturer does not accept responsibility for any damage or injury caused by improper or incorrect use, or for repairs carried out by unauthorised personnel.
38. In case of technical problems, switch off the machine and do not attempt to repair it yourself. Return the appliance to an authorised service facility for examination, adjustment, or repair. Always insist on the use of original spare parts. Failure to comply with the above-mentioned pre-cautions and instructions, could affect the safe operation of this machine.
39. The microwave oven should not be placed in a cabinet unless it has been tested in a cabinet.
40. Appliances are not intended to be operated by means of an external timer or separate remote-control system.
41. The door or the outer surface may get hot when the appliance is in operation.
42. The rear surface of the appliance should be placed against a wall.

## SPECIFICATIONS

Model:	RHEM30LN
Rated Voltage:	230V~ 50Hz
Rated Input Power (Microwave):	1400W
Rated Output Power (Microwave):	900W
Oven Capacity:	30L
Turntable Diameter:	288mm
External Dimensions:	495 x 396 x 290mm
Net Weight:	Approx. 13 kg

### PRECAUTIONS TO AVOID POSSIBLE EXPOSURE TO EXCESSIVE MICROWAVE ENERGY

- Do not attempt to operate this oven with the door open since open door operation can result in harmful exposure to microwave energy. It is important not to break or tamper with the safety interlocks.
- Do not place any object between the oven front face and the door or allow soil or cleaner residue to accumulate on sealing surfaces.
- Do not operate the oven if it is damaged. It is particularly important that the oven door close properly and that there is no damage to the
  - a. Door (bent),
  - b. Hinges and latches (broken or loosened),
  - c. Door seals and sealing surfaces.
- The oven should not be adjusted or repaired by anyone except properly qualified service personnel.
- If the microwave appliance is not maintained in a good state of cleanliness, its surface could become degraded, its lifespan affected and could result in a possibly hazardous situation.

## INSTALLATION

1. Make sure that all the packing materials are removed from the inside of the door.
2. **WARNING:** Check the oven for any damage, such as misaligned or bent door, damaged door seals and sealing surface, broken or loose door hinges and latches and dents inside the cavity or on the door. If there is any damage, do not operate the oven and contact qualified service personnel.

3. This microwave oven must be placed on a flat, stable surface to hold its weight and the heaviest food likely to be cooked in the oven.
4. Do not place the oven where heat, moisture, or high humidity are generated, or near combustible materials.
5. For correct operation, the oven must have sufficient airflow. Allow 20cm of space above the oven, 20cm at back and 20cm at both sides. Do not cover or block any openings on the appliance. Do not remove feet.
6. Do not operate the oven without a glass tray, roller support, and shaft in their proper positions.
7. Make sure that the power supply cord is undamaged and does not run under the oven or over any hot or sharp surface.
8. The socket must be readily accessible so that it can be easily unplugged in an emergency.
9. Blocking the intake and/or outlet openings can damage the oven.
10. Remove any protective film found on the microwave cabinet surface. Do not remove the light brown Mica cover that is attached to the oven cavity to protect the magnetron.
11. Never place the glass tray upside down. The glass tray should never be restricted.
12. Both glass tray and turntable ring assembly must always be used during cooking.
13. All food and containers are always to be placed on the glass tray for cooking.
14. If the glass tray or turntable ring assembly cracks or breaks, contact your nearest authorized service center.

## **RADIO INTERFERENCE**

**Operation of the microwave oven can cause interference to your radio, TV, or similar equipment. When there is interference, it may be reduced or eliminated by taking the following measures:**

- Clean the door and sealing surface of the oven.
- Reposition the receiving antenna of the radio or television.
- Relocate the microwave oven with respect to the receiver.
- Plug the microwave oven into a different outlet so that microwave oven and receiver are on different branch circuits.

## **MICROWAVE COOKING PRINCIPLES**

- Arrange food carefully. Place thickest areas towards outside of dish.
- Watch cooking time. Cook for the shortest amount of time indicated and add more as needed. Food severely overcooked can smoke or ignite.
- Cover foods while cooking. Covers prevent spattering and help foods to cook evenly.
- Turn foods over once during microwave cooking to speed cooking of such foods as chicken and hamburgers. Large items like roasts must be turned over at least once.
- Rearrange foods such as meatballs halfway through cooking both from top to bottom and from the center of the dish to the outside.

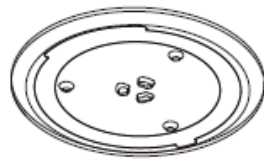
## UTENSILS GUIDE

- The ideal material for a microwave utensil is material which is transparent. This allows energy to pass through the container and heat the food.
- A microwave cannot penetrate metal, so metal utensils or dishes with metallic trim should not be used.
- Do not use recycled paper products when microwave cooking, as they may contain small metal fragments which may cause sparks and/or fires.
- Round /oval dishes rather than square/oblong ones are recommended, as food in corners tends to overcook.
- Narrow strips of aluminium foil may be used to prevent overcooking of exposed areas. But be careful don't use too much and keep a distance of 3cm.
- The list below is a general guide to help you select the correct utensils:

COOKWARE	MICROWAVE
Heat-Resistant Glass	Yes
Non Heat-Resistant Glass	No
Heat-Resistant Ceramics	Yes
Microwave-Safe Plastic Dish	Yes
Paper Kitchen Towels	Yes
Metal Tray	No
Metal Rack	No
Aluminium Foil & Foil Containers	No
Parchment Paper	Yes
Plastic Wrap	Yes
Wax Paper	Yes
Containers containing metal parts	No
Metal Twist-ties	No
Paper Bags	No
Plastic Foam	No
Wood	No

## PARTS DIAGRAM

Remove the oven and all materials from the carton and oven cavity. Your oven comes with the following accessories:



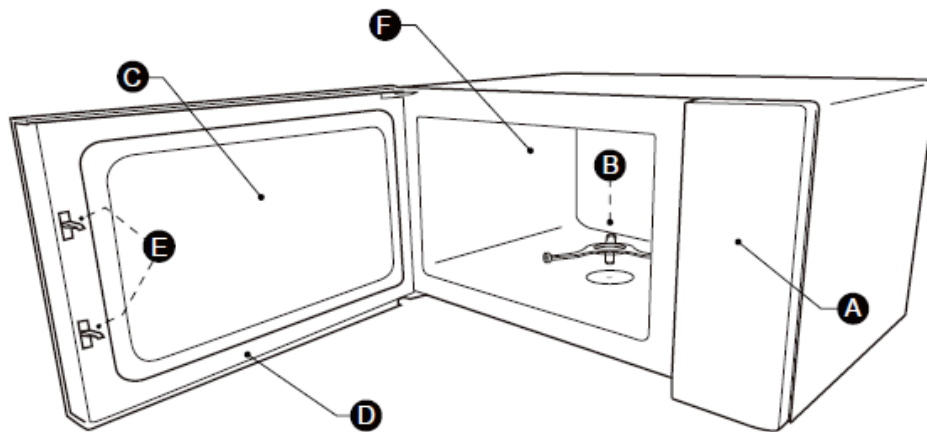
Glass Tray



Instruction Manual



Turntable Ring Assembly

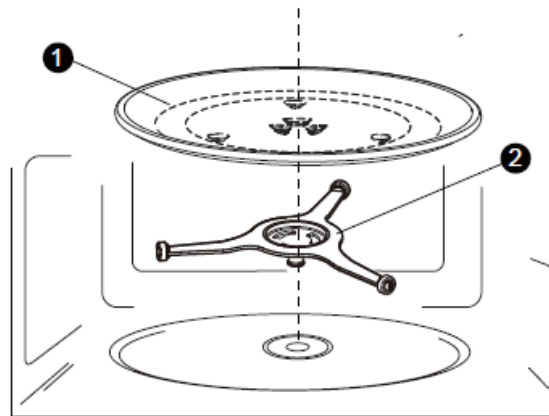


- A) Control panel
- B) Turntable Ring Assembly
- C) Observation window

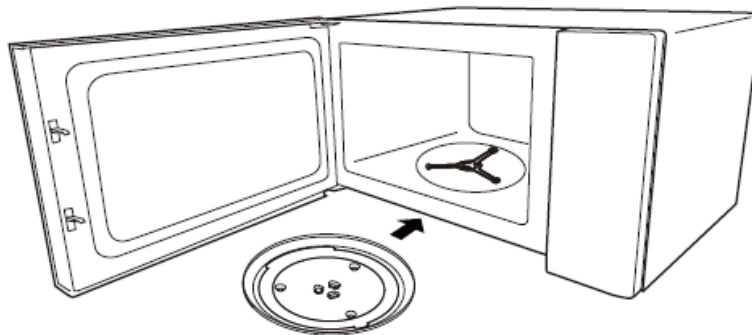
- D) Door assembly
- E) Safety interlock system
- F) Oven cavity



## TURNTABLE INSTALLATION



- 1) Glass Tray
- 2) Turntable Ring Assembly



1. Never place the glass tray upside down. The glass tray should not be restricted.
2. Both glass tray and turntable ring should always be used during cooking.
3. All food and containers of food should always be placed on the glass tray for cooking.
4. If glass tray or turntable ring assembly cracks or breaks, contact your nearest authorized service centre.

## OPERATING INSTRUCTIONS

### POWER LEVEL

11 power levels are available.

Level	10	9	8	7	6	5	4	3	2	1	0
Power	100%	90%	80%	70%	60%	50%	40%	30%	20%	10%	0%
Display	PL10	PL9	PL8	PL7	PL6	PL5	PL4	PL3	PL2	PL1	PL0

### CLOCK SETTING

1. Press "CLOCK ", "00:00" will display.
2. Press the number keys and enter the current time. For example, time is 12:10 now, press "1, 2, 1, 0" in that order.
3. Press "CLOCK " to finish clock setting. ":" will flash and the clock will be displayed.
4. If the numbers you have used are not within the range of 1:00--12:59, the setting will be invalid until valid numbers are inputted.
5. Note: (1) In the process of clock setting, if the "STOP/CANCEL" button is pressed or if there is no operation within 1 minute, the oven will go back to the former setting automatically.
6. If the clock needs to be reset, please repeat step 1 to step 3.

### KITCHEN TIMER

1. Press "KITCHEN TIMER ", LED will display 00:00.
2. Press the number keys and enter the timer time. (The maximum cooking time is 99 minutes and 99 seconds)
3. Press " START/+30SEC. " to confirm setting.
4. When the timer time arrives, the buzzer will ring 5 times.
5. If the clock has been set (12-hour system), LED will display the current time.  
Note: 1) The kitchen time is different from 12-hour system. Kitchen Timer is a timer.  
2) During kitchen timer, no other program can be set.

### MICROWAVE COOK

1. Press "TIME COOK" once, LED will display "00:00".
2. Press number keys to input the cooking time; the maximum cooking time is 99 minutes and 99 seconds.
3. Press "POWER" once, LED will display "PL10". The default power is 100% power.
4. You can now press number keys to adjust the power level. Press " START/+30SEC." to start cooking.
5. Example: to cook the food with 50% microwave power for 15 minutes.
  - a. Press "TIME COOK" once. "00:00" displays.
  - b. Press "1", "5", "0", "0" in that order.

- c. Press "POWER" once, then press "5" to select 50% microwave power.
- d. Press "START/+30SEC." to start cooking.
6. Note: 1) In the process of cooking, if the "STOP/CANCEL" button is pressed or if there is no operation within 1 minute, the oven will go back to the former setting automatically.  
2) If "PL0" is selected, the oven will work with fan for no power. You can use this level to remove odour from the oven.  
3) During microwave cooking, "POWER" can be used to change the power you need. After pressing "POWER", the current power will flash for 3 seconds, now you can press the number button to change the power. The oven will work with the selected power for the remaining time.

### **SPEEDY COOKING**

1. In waiting state, instant cooking at 100% power level can be started by selecting a cooking time from 1 to 6 minutes by pressing number pads 1 to 6. Press " START/+30SEC." to increase the cooking time. The maximum cooking time is 99 minutes and 99 seconds.
2. In waiting state, instant cooking at 100% power level with 30 seconds' cooking time can be started by pressing "START/+30SEC". Each press on the same button will increase cooking time by 30 seconds. The maximum cooking time is 99 minutes and 99 seconds.
3. Note: During microwave cooking and time defrost, time can be added by pressing "START/+30SEC." button.

### **WEIGHT DEFROST FUNCTION**

1. Press "WEIGHT DEFROST", LED will display "dEF1". Press numerical buttons to input weight to be defrosted.
2. Input the weight ranged between 100~2000 g.
3. If the weight input is not within 100~2000, the input will be invalid.
4. The oven will not work until valid numbers are inputted.
5. Press " START/+30SEC. " to start defrosting and the remaining cooking time will be displayed.

### **TIME DEFROST FUNCTION**

1. Press "TIME DEFROST", LED will display "dEF2".
2. Press number pads to input defrosting time. The effective time range is 00:01~99:99. The default microwave power is power level 3. If you want to change the power level, press "POWER" once, and the LED will display "PL 3", and then press the number pad of the power level you wanted.
3. Press "START/+30SEC." to start defrosting. The remaining cooking time will be displayed.

### **POPCORN**

1. Press "POPCORN" repeatedly until the number you wish appears in the display, "50","100" grams will display in order.

2. For example, press "POPCORN" once, "50" appears.
3. Press "START/+30 SEC." to cook the popcorn, buzzer sounds once. When cooking has finished, buzzer will sound five times and then turn back to the waiting state.

#### **Important Information about Microwave Popcorn Feature:**

- When selecting 100 grams of popcorn, it is suggested that you fold down a triangle on each corner of the bag before cooking.
- If/when the popcorn bag expands and no longer rotates properly, please press STOP/CANCEL button once and open the oven door and adjust the bag position to ensure even cooking.

#### **POTATO**

1. Press "POTATO" repeatedly until the number you wish appears in the display, "1", "2", "3" will display in order.
2. "1" SET: 1 potato (approximate 230 gram) "2" SETS: 2 potatoes (approximate 460 gram) "3" SETS: 3 potatoes (approximate 690 gram). For example, press "POTATO" once, "1" appears.
3. Press "START/+30 SEC." to cook, buzzer sounds once. When cooking has finished, buzzer sounds five times and then turns back to waiting state. **FROZEN VEGETABLE**
4. Press "FROZEN VEGETABLE" repeatedly until the number you wish appears in the display, "150", "350", "500" grams will display in order.
5. For example, press "FROZEN VEGETABLE" once, "150" appears.
6. Press "START/+30 SEC." to cook, buzzer sounds once. When cooking has finished, buzzer sounds five times and then turns back to waiting state.

#### **BEVERAGE**

1. Press "BEVERAGE" repeatedly until the number you wish appears in the display, "1", "2", "3" cup will display in order. One cup is about 120ml. For example, press "BEVERAGE" once, "1" appears.
2. Press "START/+30 SEC." to cook, buzzer sounds once. When cooking has finished, buzzer sounds five times and then turns back to waiting state.

#### **DINNER PLATE**

1. Press "DINNER PLATE" repeatedly until the number you wish appears in the display, "250", "350", "500" grams will display in order. For example, press "DINNER PLATE" once, "250" appears.
2. Press "START/+30 SEC." to cook, buzzer sounds once. When cooking has finished, buzzer sounds five times and then turns back to waiting state.

#### **PIZZA**

1. Press "PIZZA" repeatedly until the number you wish appears in the display, "100", "200", "400" grams will display in order. For example, press "PIZZA" once, "100" appears.
2. Press "START/+30 SEC." to cook, buzzer sounds once. When cooking has finished, buzzer sounds five

times and then turns back to waiting state.

### **PROGRAMMABLE MEMORY FUNCTION**

1. Press "0/MEMORY" to choose memory 1-3 procedure. The LED will display 1, 2, 3. If the procedure has been set, press "START/ +30 SEC." to use it. If not, continue to set the procedure. Only one or two stages can be set.
2. Once set, press "START/ +30 SEC." once to save the procedure. If you press "START/ +30 SEC." again, it will start cooking.
3. Example: To set the following procedure as the second memory, that is memory 2.
4. To cook the food with 80% microwave power for 3 minutes and 20 seconds. The steps are as follow:
  - a. In waiting state, press "0/MEMORY" twice, stop pressing until the screen displays "2".
  - b. Press "TIME COOK" once, and then press "3", "2", "0" in order.
  - c. Press "POWER" once, "PL10" display, and then press "8" and "PL8" displays.
  - d. Press "START/ +30 SEC." to save the setting. Buzzer sounds once and "2" displays. If you press "START/+30SEC." again, the procedure will be saved as the memory 2 and operated.
  - e. If you want to run the saved procedure, in waiting state, press "0/MEMORY" twice, screen displays "2", then press "START/+30SEC." to run.


### **MULTI-STAGE COOKING**

1. At most, 2 stages can be set for cooking. In multi-stage cooking, if one stage is defrosting, then defrosting shall be placed at the first stage automatically.
2. Note: Auto cooking cannot work in the multi-stage cooking.
3. Example: if you want to cook with 80% microwave power for 5 minutes + 60% microwave power for 10 minutes. The cooking steps are as following:
  - a. Press "TIME COOK" once, and then press "5", "0", "0" to set the cooking time.
  - b. Press "POWER" once, and then press "8" to select 80% microwave power.
  - c. Press "TIME COOK" once, then press "1", "0", "0", "0" to set the cooking time;
  - d. Press "POWER" once, then press "6" to select 60% microwave power. (5) Press "START/ +30 SEC." to start cooking.

### **SMART INFO FUNCTION**

1. In cooking state, press "CLOCK", the LED will display clock for three seconds.
2. In the microwave cooking state, press "POWER" to inquire microwave power level, and the current microwave power will be displayed. After three seconds, the oven will turn back to the previous state. In multi-stage state, the inquiring way can be done by the same way as above.

### **CHILD LOCK SAFETY FEATURE**

1. Lock: In waiting state, press "STOP/CANCEL" for 3 seconds, there will be a long "beep" denoting entering into the child-lock state; meanwhile, LED will display .
2. Lock quitting: In locked state, press "STOP/CANCEL" for 3 seconds, there will be a long "beep" denoting that child-lock is released.

### **CYCLE REMINDER FUNCTION**

1. When the cycle has finished, the buzzer will go off 5 "beeps" to alert the user that cooking has completed.

### **OTHER SPECIFICATIONS**

1. In standby state, if the set clock LED displays current time, the icon ":" would flash; otherwise, it shows "0:00".
2. In setting function state, LED displays corresponding setting.
3. In working or pause state, LED displays surplus cooking time.

## TROUBLE SHOOTING

Microwave oven Interfering	Radio and TV reception may be interfered when microwave oven operating. It is similar to the interference of small electrical appliances like mixer, vacuum cleaner, and electric fan. It is normal.
	In low power microwave cooking become dim. It is normal.
Steam accumulating on hot air out of vents	In cooking, steam may come out of food. Most will get out from vents. But some may accumulate on cool place like oven door. It is normal.
Oven started accidentally with no food in	It is forbidden to run the unit without any food inside. It is very dangerous.

Oven can not be started	(1) Power cord not plugged in tightly	Unplug. Then plug again after 10 seconds.
	(2) Fuse blowing or circuit breaker works	Replace fuse or reset circuit breaker (repaired by professional personnel of our company).
	(3) Trouble with outlet	Test outlet with other electrical appliances.
Oven does not heat	(4) Door not closed well	Close door well.
Glass turntable makes noise when microwave oven operates	(5) Dirty roller rest and oven bottom	



According to the Waste of Electrical and Electronic Equipment (WEEE) directive, WEEE should be separately collected and treated. If at any time you need to dispose of this product, please do NOT dispose of this product with household waste. Please send this product to WEEE collecting points where available.

## **CLEANING AND MAINTENANCE**

- This appliance is for household use only and is not user serviceable.
- Do not open or change any parts by yourself. Please refer to a qualified electrical service department or return to the supplier if servicing is necessary.
- Turn off the oven and remove the power plug from the wall socket before cleaning.
- Keep the inside of the oven clean. When food splatters or spilled liquids adhere to oven walls, wipe with a damp cloth. Mild detergent may be used if the oven gets very dirty. Avoid the use of spray and other harsh cleaners as they may stain, streak or dull the door surface.
- The outside surfaces should be cleaned with a damp cloth. To prevent damage to the operating parts inside the oven, water should not be allowed to seep into the ventilation openings.
- Wipe the door and window on both sides, the door seals and adjacent parts frequently with a damp cloth to remove any spills or splatters. Do not use abrasive cleaner.
- Do not allow the control panel to become wet. Clean with a soft, damp cloth. When cleaning the control panel, leave oven door open to prevent oven from accidentally turning on.
- If steam accumulates inside or around the outside of the oven door, wipe with a soft cloth. This may occur when the microwave oven is operated under high humidity condition. And it is normal.
- It is occasionally necessary to remove the glass tray for cleaning. Wash the tray in warm sudsy water or in a dishwasher.
- The roller ring and oven floor should be cleaned regularly to avoid excessive noise. Simply wipe the bottom surface of the oven with mild detergent. The roller ring may be washed in mild sudsy water or dishwasher. When removing the roller ring from cavity floor for cleaning, be sure to replace in the proper position.
- Remove odors from your oven by combining a cup of water with the juice and rind of one lemon in a deep microwaveable bowl, microwave for 5 minutes. Wipe thoroughly and dry with a soft cloth.
- When it becomes necessary to replace the oven light, please consult a dealer to have it replaced.
- The oven should be cleaned regularly, and any food deposits removed. Failure to maintain the oven in a clean condition could lead to deterioration of the surface that could adversely affect the life of the appliance and possibly result in a hazardous situation.
- Please do not dispose this appliance into the domestic rubbish bin; it should be disposed to the particular disposal center provided by the municipalities.
- Do not use bleach or other abrasive substance or solvents to clean your appliance as it can be damaging to the finish.



## **STORING THE APPLIANCE**

- Unplug the unit from the wall outlet and clean all the parts as instructed above. Ensure that all parts are dry before storing.
- Store the appliance in its box or in a clean, dry place.
- Never store the appliance while it is still wet or dirty.
- Never wrap the power cord around the appliance.

## **SERVICING THE APPLIANCE**

There are no user serviceable parts in this appliance. If the unit is not operating correctly, please check the following:

- You have followed the instructions correctly
- That the unit has been wired correctly and that the wall socket is switched on.
- That the mains power supply is ON.
- That the plug is firmly in the mains socket.

If the appliance still does not work after checking the above:

- Consult the retailer for possible repair or replacement. If the retailer fails to resolve the problem and you need to return the appliance, make sure that:

- The unit is packed carefully back into its original packaging.
- Proof of purchase is attached.
- A reason is provided for why it is being returned.

If the supply cord is damaged, it must be replaced by the manufacturer or an authorised service agent, in order to avoid any hazard. If service becomes necessary within the warranty period, the appliance should be returned to an approved Amalgamated Appliance (Pty) Ltd service centre. Servicing outside the warranty period is still available, but will, however, be chargeable.

## CHANGING THE PLUG

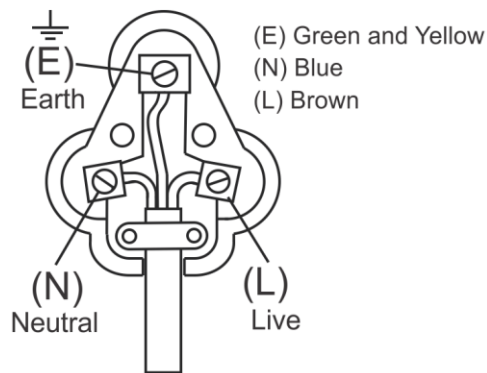
Should the need arise to change the fitted plug, follow the instructions below.

**This unit is designed to operate on 230V~240V current only. Connecting to other power sources may damage the appliance. Connect a three-pin plug as follows:**

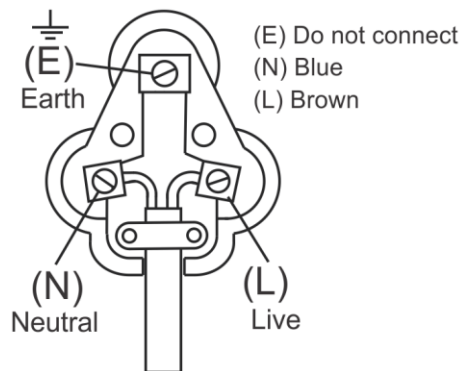
The wires in this mains lead are coloured in accordance with the following code:

Green/Yellow = Earth  
Blue = Neutral  
Brown = Live

**WARNING:** If your appliance has three wires (Green/Yellow, Blue, Brown) then it **MUST** be earthed. Connect a three pin plug as shown below



If your appliance has only two wires (Blue, Brown) then it does not need to be earthed. Connect a three pin plug as shown below



**PLEASE AFFIX YOUR PROOF OF PURCHASE/RECEIPT HERE  
IN THE EVENT OF A CLAIM UNDER WARRANTY THIS RECEIPT MUST BE PRODUCED.**

**1 YEAR STANDARD WARRANTY**

*Warranty will be extended for another year if you register your product online within 12 months of purchase  
(visit <https://russellhobbswarranty.co.za/> )*

**W A R R A N T Y AND EXTENDED WARRANTY**

1. Home of Living Brands (Pty) Limited ("Home of Living Brands") warrants to the original purchaser of this product ("the customer") that this product will be free of defects in quality and workmanship which under normal personal, family or household use and purpose may manifest within a period of 1 (one) year from the date of purchase ("warranty period").
2. Home of Living Brands shall extend the warranty period for a further period of 1(one) year ("extended warranty period"), on condition that the purchaser registers the product on the website, within 12 months from the date of purchase of the product. The website address for registration is as follows:  
<https://russellhobbswarranty.co.za/>.
3. Where the customer has purchased a product and it breaks, is defective or does not work properly for the intended purpose, the customer must notify the supplier from whom the customer bought the product ("the supplier") thereof within the warranty period or if applicable, the extended warranty period. Any claim in terms of this warranty must be supported by a proof of purchase. If proof of purchase is not available, then repair, and/or service charges may be payable by the customer to the supplier.
4. The faulty product must be taken to the supplier's service centre to exercise the warranty.
5. The supplier will refund, repair or exchange the product in terms of this warranty subject to legislative requirements. This warranty shall be valid only where (a) the customer is not the cause of the product breaking, and (b) the product has been used for the intended purpose stipulated in the product manual. The warranty does not include and will not be construed to cover products damaged as a result of disaster, misuse, tamper, abuse or any unauthorised modification or repair of the product.
6. This warranty will extend only to the product provided at the date of the purchase and not to any expendables attached or installed by the customer. In this regard any accessories supplied with the product by the supplier, may be excluded in this warranty or extended warranty (see Exclusions to Warranty and Extended Warranty document).
7. If the customer requests that the supplier repairs the product and the product breaks or fails to work properly within 3 (three) months of the repair and not as a result of misuse, tampering or modification by or on behalf of the customer, then the supplier may replace the product or pay a refund to the customer, subject to the supplier's discretion.
8. The customer may be responsible for certain costs where products returned are not in the original packaging, or if the packaging is damaged. This will be deducted from any refund paid to the customer.

**HOME OF LIVING BRANDS (PTY) LTD (JOHANNESBURG)**

JOHANNESBURG	TEL NO. (011) 490-9600
CAPE TOWN	TEL NO. (021) 552-5161
DURBAN	TEL NO. (031) 303-1163

[www.homeoflivingbrands.com](http://www.homeoflivingbrands.com)  
[www.russellhobbs.co.za](http://www.russellhobbs.co.za)  
[www.facebook.com/RussellHobbsSA](https://www.facebook.com/RussellHobbsSA)

#### *EXCLUSIONS TO WARRANTY AND EXTENDED WARRANTY*

1. Any accessories supplied with the product, including but not limited to, bowls, jugs, mills or carafes made either of glass or plastic and supplied with this appliance (hereinafter referred to as “the accessory or accessories”), is warranted to be free from material and workmanship defects for the duration of the appliance warranty.
2. The accessories should give trouble free service when used in accordance with the directions described in the instruction manual. However, the accessories will be damaged if subjected to impact, and this damage is not covered by the warranty. Such impact damage can occur either from the outside (if for example it is dropped or knocked against a hard surface), or from within (if for example foreign objects are placed within the accessories and the power is switched on).
3. Should you need to replace an accessory during the warranty period; a claim for a free replacement will only be considered if the item (including all shards and broken parts) is returned to the nearest HOLB service centre for examination.
4. The remains of the accessory will be carefully examined by the relevant professionals and if it is determined (at the sole discretion of HOLB) that the damage was caused by impact, then the claim will be refused and will not be covered by the warranty or any extended warranty.
5. Any replacement part provided in terms of clause 4 above will become a chargeable item payable by the customer.